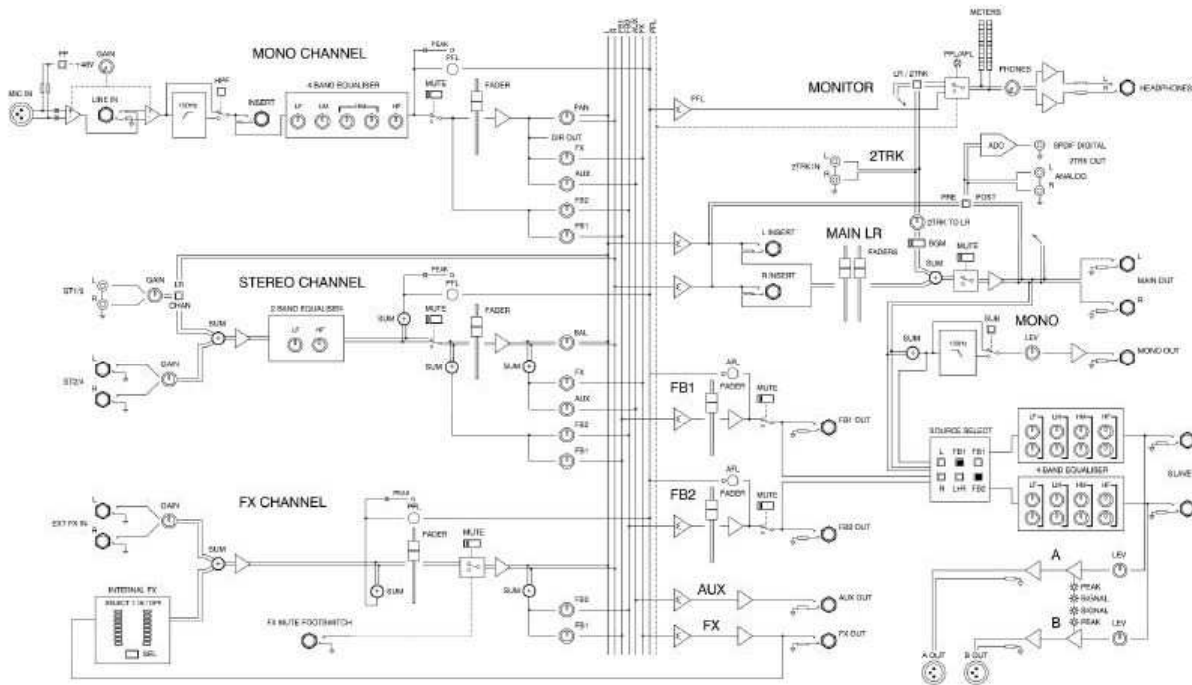


# PA 12,20 & 28



The **PA** range (**PA12**, **PA20** and **PA28**) are robust compact mixers with a straight forward layout and buckets of functionality. With a design and build quality that mirrors our professional touring desks, these mixers are an essential addition to any band, school, theatre, or hire inventory.





## FEATURES

- **Mono Inputs** - 8 (PAI2), 16 (PA20) or 24 (PA28) with XLR/TRS inputs, mute and PFL switches with LEDs, and 100mm faders
- **Phantom Power** - individually switched
- **Two-stage Padless Preamp** - directs line sources to the second stage for improved matching and performance
- **Input EQ** - 4-band with shelving LF and HF, a fixed LM band at 250Hz and a swept HM
- **100mm Faders** - with dust covers throughout
- **4 Auxiliary Sends** - with 2 pre-fade sends for foldback, one post-fade for internal or external FX and another post-fade for additional FX or special feeds
- **2 Dual Stereo Channels** - each with TRS jack and RCA phono inputs with independent gain and 2-band EQ
- **Digital FX** - 16 FX programs.
- **Outputs** - source selectable main AB output, mono sum with switchable sub bass filter and analogue and SPDIF digital recording outputs.
- **Output EQ** - 4-band semi-parametric for speaker control more precise than achieved with the typical graphic type EQ
- **Master section** - 12 segment LED meters, standby switching to disconnect the speakers, an XLR lamp socket and background music mode switch

## MECHANICAL SPECIFICATIONS

PAI2	Without side trims for rackmount - mm(*)	Desk mount with side trims - mm(*)
<b>Width</b>	484 (19)	525 (20)
<b>Height</b>	145 (6)	145 (6)
<b>Depth</b>	437 (17)	539 (21)
<b>Weight</b>	13kg (28lbs)	13kg (28lbs)

PA20	Desk mount with side trims mm(*)
<b>Width</b>	733(29)
<b>Height</b>	145 (6)
<b>Depth</b>	539 (21)
<b>Weight</b>	17kg (11lbs)

PA28	Desk mount with side trims mm(*)
<b>Width</b>	958 (38)
<b>Height</b>	145 (6)
<b>Depth</b>	539 (21)
<b>Weight</b>	21kg (46lbs)