

OM3xb DYNAMIC VOCAL MICROPHONE

overview

The OM3xb, first introduced in 1989, is the original VLM Technology high output vocal microphone. An American-made, hand held vocal microphone designed for live performance, the OM3xb is characterized with a hypercardioid pickup pattern and a uniform frequency response of 50-18kHz. An excellent choice for any size stage, the OM3xb can provide over 25 dB of feedback rejection off-axis and is able to handle extremely high levels of gain without distortion.

Transformerless design, low impedance, and balanced output allow interference-free performance even with long cable runs. The OM3xb produces a highly accurate, natural sound with slight bass proximity. A dent-resistant spring-steel grill and sound pressure handling capabilities in excess of 144dB add to the OM3xb's road-worthiness.

The OM3xb is available with an optional on-off switch as model OM3xb-S.

specifications

Transducer Type	Dynamic
Frequency Response	50 Hz- 18kHz
Polar Pattern	Hypercardioid
Output Impedance	250 ohms
Sensitivity	2.5mV/ Pascal
Capsule Technology	VLM Type B
Off axis rejection	>25dB
Maximum SPL	>144dB
Cable/Connector	3 pin gold plated male XLR
Polarity	Positive voltage on pin 2 relative to pin 3 of output XLR connector
Housing	Zinc alloy
Weight	10.87oz/308.4 grams

OM3xb DYNAMIC MIC



Vocals



Congas



Drums



Electric
Guitar Cabs

applications

- ▶ **Live Stage**
Small to large club, Praise-team and Gospel vocal groups, outdoor festivals
- ▶ **Utility instruments**
electric guitar, snare, tom-tom, congas, bongos
- ▶ **Spoken Word**
- ▶ **Home Studio**
Vocal and instrument applications

AUDIX
PERFORMANCE IS EVERYTHING

OM3xb DYNAMIC VOCAL MICROPHONE

Operation and Maintenance: The OM3xb is a durable handheld dynamic microphone with a dent-resistant spring steel grill. It still should be handled with care. Avoid extreme temperatures wherever possible.

Warning: Avoid moisture as it can adversely affect the sound and performance of your microphone.

Phantom power: The OM-3xb is a dynamic microphone and **does not** require phantom power, be assured that Phantom power will not adversely affect the performance of the OM-3xb in any way.

Recording: The OM3xb is a very versatile recording microphone. It is a cost-effective utility microphone for use with vocals, percussion, electric and acoustic guitar, and brass instruments, providing a full-bodied warmth that complements lower-profile floor monitors found in smaller performance venues. Because of the hypercardioid pattern, it is less susceptible to feedback than comparably priced cardioid designs. Its high sound pressure handling will prevent diaphragm distortion, allowing for close miking of the instrument or voice.

Live Sound: The OM3xb's tight pattern and high off-axis rejection offer unmatched gain before feedback at an affordable price. The high rejection also allows multiple miking in tight quarters (i.e. small clubs) with little bleed through or feedback. The OM3xb has added warmth in the lower mid-bass and a slight boost in the mid-range; it sounds particularly full and clear on small-to-mid size PA systems without having to add EQ or pad the sensitivity. Microphone placement is not an exact science and depends on the room size, the PA system, and the musicians. Therefore, some experimentation is usually necessary in order to achieve the desired results.

In general, when using multiple OM3xbs for live sound, they should be spaced 2-3 feet

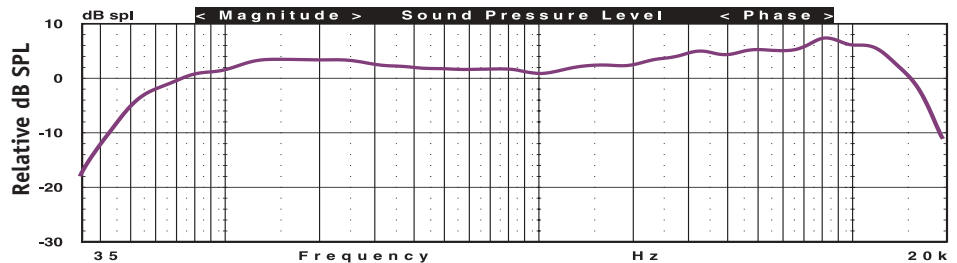
Supplied Accessories

- ▶ Mic clip (MC1) adjustable through 180 degrees with standard 5/8 inch 27 thread. Note: Metal stand adapter also supplied to accommodate European standard threads.
- ▶ Zippered microphone carrying pouch.

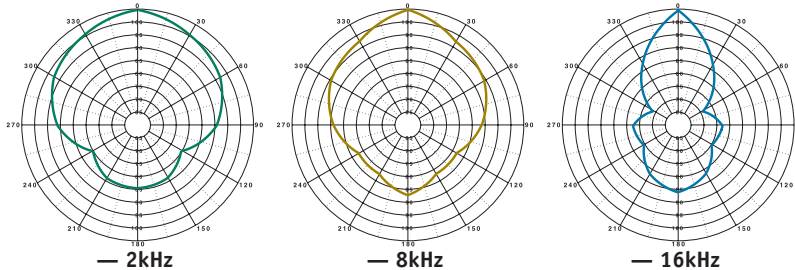
Optional Accessories

- ▶ Foam windscreen to control moisture, wind, and breath noise. (Model WS357)
- ▶ On-off switch (Model OM3xb-S)

Typical Frequency Response

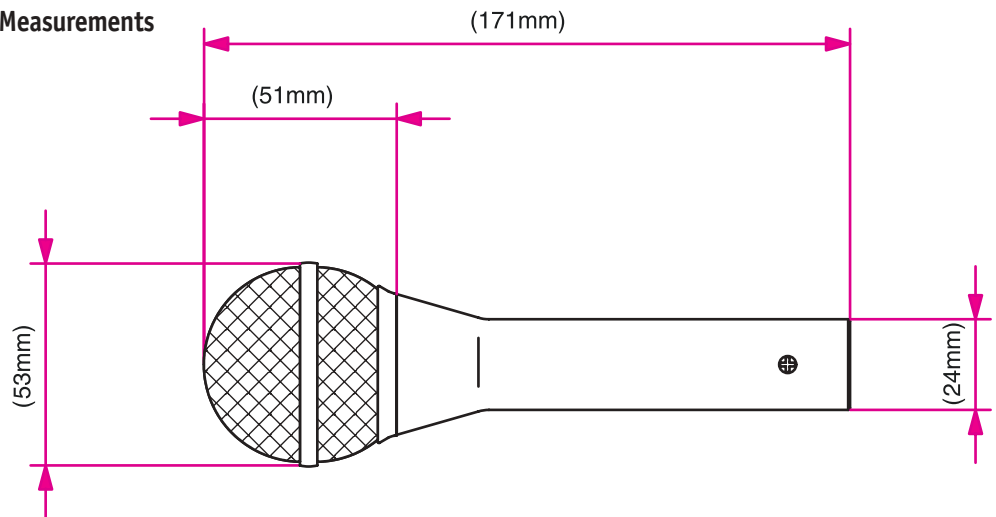


Polar Charts



The frequency response curve shown above (measuring tolerance at $\pm 3\text{dB}$) and polar pattern correspond to typical production run specifications for this microphone.

Measurements



CALL: 503-682-6933 FAX: 503-682-7114
www.audixusa.com

Audix Corporation PO Box 4010, Wilsonville, OR 97070 In Canada, Cabletek Electronics LTD, 604-942-1001 fax 604-942-1010
©Audix Corporation 2001. All rights reserved. Audix and the Audix logo are trademarks of Audix Corporation.

AUDIX
PERFORMANCE IS EVERYTHING