

PCC[®]-160 PCC-160W

PHASE COHERENT CARDIOID MICROPHONE



The Crown[®] PCC[®]-160 (Phase Coherent Cardioid[®]) is a surface-mounted half-supercardioid microphone intended for professional applications on stage floors, lecterns, conference tables, and news desks—wherever improved gain-before-feedback and articulation are important.

Similar to the Pressure Zone Microphone[®] (PZM[®]), the PCC is designed to be used on a relatively large boundary surface. Unlike the PZM, the Phase Coherent Cardioid uses a subminiature supercardioid mic capsule. Its directional polar pattern improves gain-before-feedback, reduces unwanted room noise and rejects sounds from the rear. Surface-mounting creates a “half-supercardioid” polar pattern and increases directivity 3 dB.

Since the microphone capsule is placed on a boundary, direct and reflected sounds arrive at the diaphragm in-phase. This coherent addition of direct and reflected waves increases sensitivity 6 dB and prevents phase cancellations. The mic capsule is small enough to ensure phase coherency up to the highest frequencies in the audible spectrum, resulting in a wide, smooth frequency response free of phase interference. Clarity and reach are also enhanced.

Self-contained electronics eliminate the need for an in-line preamp box. The PCC-160 can be phantom powered directly from the console or other remote power source providing 12 to 48 volts. If battery power is required, a battery supply unit can be inserted anywhere in the mic line right up to the console or mixer. A “bass tilt” switch allows the user to tailor the low-end response for particular applications.

Thanks to its low profile and black finish, the microphone becomes almost invisible in use. A side-mounted connector complements the form factor of the PCC-160, allowing the unit to be placed effectively at the stage edge, at the top of a lectern or in other tight spots. If desired, the cable can be hard-wired for bottom entry.

The PCC-160W is finished in off-white to blend with church altars and other surroundings where lighter color is appropriate.

The heavy-gauge, all steel body protects the unit from accidental abuse. Permanent mounting is enabled by screw holes in the base. Engineering attention-to-detail has assured years of trouble-free use from this reliable microphone.

Capable of withstanding up to 120 dB SPL without distorting, the PCC-160 will never overload in practical use. Its electret condenser capsule provides a wide, smooth frequency response from 50 Hz to 18 kHz. RFI suppression is included. Self-noise is low, and sensitivity is very high to override mixer noise in distant-miking applications. Output impedance is 150 ohms, balanced.

Features

- Industry-standard stage floor microphone
- Phase Coherent Cardioid design prevents coloration from surface sound reflections
- High output overrides mixer input noise
- Half-supercardioid polar pattern rejects the pit orchestra and offers high gain-before-feedback
- Very rugged
- Low profile

Specifications

Type: Phase Coherent Cardioid.

Element: Electret condenser.

Frequency response (typical): 50 Hz to 18,000 Hz at 30 degrees incidence to surface. See Fig. 1.

Polar pattern: Half-supercardioid (supercardioid in the hemisphere above the primary boundary). See Fig. 2 and Fig. 3.

Impedance: 150 ohms nominal (85 ohms actual), balanced. (Recommended load impedance 1000 ohms or greater.)

Open-circuit sensitivity: 22mV/Pa* (-33 dB re 1 V/Pa*).

Power sensitivity: -31 dB re 1 milliwatt/Pa*/-123 dBm EIA.

Equivalent noise level (self noise): 22 dB typicalL (0 dB = .0002 dyne/cm²), A-weighted.

S/N ratio: 72 dB at 94 dB SPL.

Maximum SPL for 3% THD: 120 dB SPL.

Polarity: Positive pressure on the diaphragm produces positive voltage on pin 2 with respect to pin 3 of output connector.

Cable: 15-foot, black, two-conductor shielded cable with Switchcraft TA3F connector and A3M connector.

Operating voltage: Standard phantom power: 12 to 48 volts DC positive on pins 2 and 3 with respect to pin 1.

Safe Operating Temperature: -10° to +50° C or +14° to +122° F.

Current drain: 4 mA nominal.

Materials: All steel body construction.

Finish: PCC-160: black. PCC-160W: off-white.

Net weight: 11.5 oz. (326 g).

Dimensions: See Fig. 5.

Optional accessories: Crown PH-1A phantom power supply (one channel, battery or AC-adaptor powered).

Fig. 1 Frequency Response

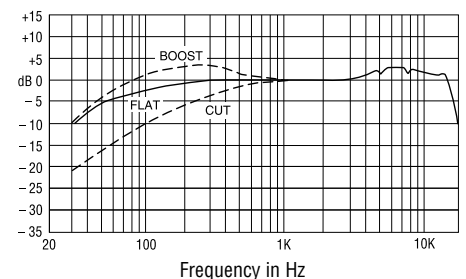


Fig. 2 Vertical Plane Polar Response

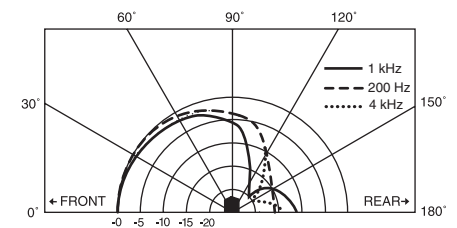
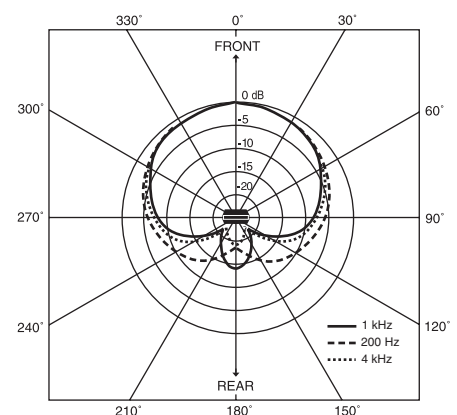


Fig. 3 Horizontal Plane Polar Response



*1 pascal = 10 dynes/cm² = 10 microbars = 94 dB SPL.



INSTALLED

PCC-160 PCC-160W

Operating Instructions

Unbalanced operation: If you are using a phantom power supply that does NOT include an isolation transformer, and you desire an unbalanced output, use pin 2 as hot and pin 1 as ground. This procedure prevents distortion in the PCC circuit. **Do not unbalance the output of the supply by connecting pin 3 to pin 1.** If you are using a phantom supply containing an isolation transformer (such as the Crown PH-1A AC/Battery Supply), then you can unbalance the output by connecting pin 3 to pin 1 in the cable feeding the mixer. This results in 6 dB more sensitivity.

The PCC includes two keyhole slots in its base to accept mounting screws. To screw the PCC to a surface, refer to Fig. 4 and Fig. 5.

Note: The porous foam liner in the housing must go toward the front of the microphone; the dense foam liner goes toward the rear. Otherwise the frequency response and polar pattern will be degraded.

Placement suggestions for the PCC-160 are in the *Crown Boundary Microphone Applications Guide* and *Speech Sound Reinforcement Application Guide*, available online at http://www.crownaudio.com/mic_web/mic-library.htm.

BASS TILT SWITCH: On the bottom of the microphone is a bass-tilt switch which allows the user to tailor the low-end response for particular applica-

tions. In general, use the FLAT position. Use the CUT position to reduce room rumble and air-handler noise. Use the BOOST position to compensate for low-frequency losses when the PCC is placed on small boundaries such as lectern shelf-tops.

Architects' & Engineers' Specifications

The microphone shall be the Crown Model PCC-160 (black) or PCC-160W (off-white). The microphone shall be a half-supercardioid electret condenser type, utilizing a subminiature transducer of rugged construction. A smooth frequency response from 50 Hz to 18,000 Hz shall be obtained, with a uniform off-axis response, over 20 dB down at the rear nulls. The microphone will exhibit excellent off-axis response and gain-before-feedback.

The microphone shall employ the principle of phase coherency achieved by mounting a small-diameter element very near a boundary, thus eliminating comb filtering in the audible spectrum. A 15-foot (4.6-m), two-conductor shielded cable with TA3F and A3M connectors shall be supplied with the microphone.

The microphone shall have a sensitivity of 22 mV/Pa*. The microphone shall accept a 120 dB SPL input while providing no greater than 3 percent THD (open-circuit termination). Equivalent noise shall be 22 dBA typical. The Crown Model PCC-160 is specified.

Warranty

Crown professional microphone products are guaranteed against malfunction for a period of three years from date of original purchase. Please refer to the enclosed full warranty statement for more detail.

Service

If the microphone does not function properly, check to verify that it is aimed correctly and is connected as described in the Operating Instructions. If there is hum or no signal, repair or replace the cable.

If you determine the microphone product(s) is defective, return the complete product in its original packaging to: **Crown Factory Service, 1718 West Mishawaka Road, Elkhart, IN 46517-9439. A Service Return Authorization (SRA) is required for product being sent to the factory for service. An SRA can be completed on line at www.crownaudio.com/support/factserv.htm.** For further assistance or technical support call **800-342-6939**.

Fig. 5 Dimensions

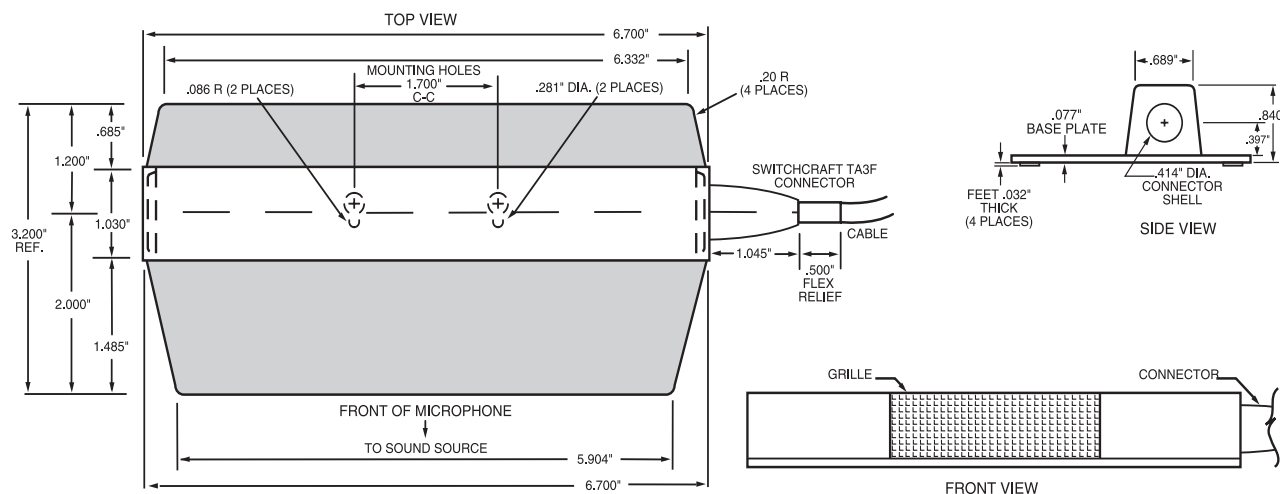
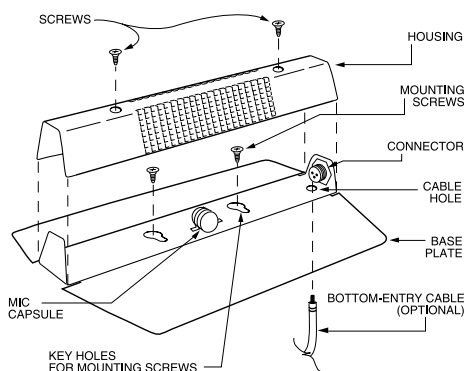


Fig. 4 Removing the Cover



H A Harman International Company

Crown International, Inc.
1718 W. Mishawaka Rd.
Elkhart, IN 46517-9439
TEL: 574-294-8000
FAX: 574-294-8FAX
www.crownaudio.com

©2008 Crown Audio®, Inc.
Specifications subject to change without prior notice.
Latest information available at www.crownaudio.com.
PCC, Phase Coherent Cardioid, PZM, Pressure Zone
Microphone. Crown and Crown Audio are registered
trademarks of Crown International.