

Fixture Type:



The 701 portable blacklight is a four foot fluorescent lighting device which produces a wash of near ultraviolet light for effect. Ultraviolet light waves cause white reflective and specially treated surfaces to fluoresce while dark or absorptive surfaces become invisible. The lamp contains an integral filter to eliminate any harmful far ultraviolet while maximizing the near ultraviolet effect. Effective distance for 701 is 4 to 10 feet from the subject. Common usage is to line the stage front with a number of luminaires to act as ultraviolet footlights. The 701 is constructed of 18 gauge steel with integral ballast, reflector, line cord, and hinged latching cover with carrying handle.

Specifications subject to change without notice

## Specifications

**Housing:** Cast aluminum and 18 gauge sheet steel construction.

**Materials:** Construction employs all corrosion-resistant materials and hardware.

**Reflector:** Specular aluminum.

**Cover:** Removable hinged cover is provided with latch and carrying handle.

**Sockets:** Double contact fluorescent lamp holder, two provided. Tool free relamping.

**Rating:** 120 volts AC operation, 0.65 amps, 60 Hz.

**Ballast:** Class P magnetic with automatic resetting thermal protector.

**Cable:** 6' 18/3 SJT with male edison plug.

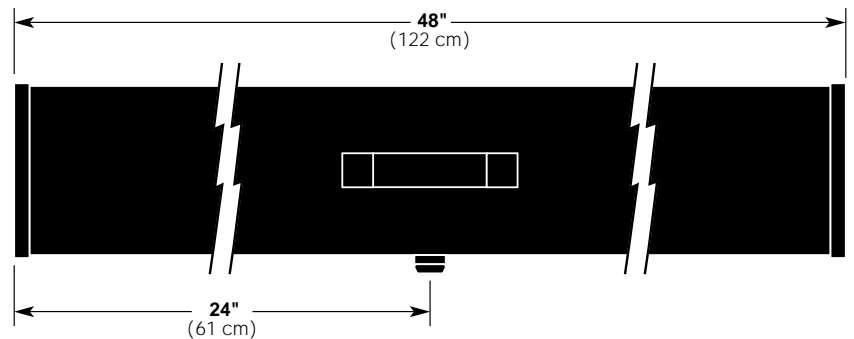
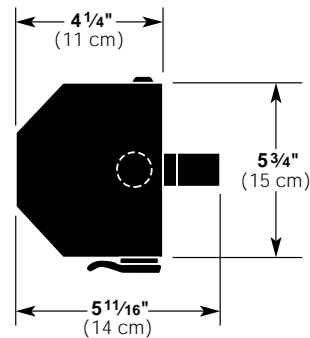
**Lamp:** 40 Watt F40/LB.

**Finish:** Black epoxy sandtex, electrostatic application.

**Weight:** Approx; 15 lbs. (6.8 kg.)

## 40 WATTS FLUORESCENT BLACKLIGHT Features

- 20,000 hour lamp life
- 4' to 10' operating distance for maximum effect
- latching hinged cover is removable
- integral carrying handle on cover
- 6' power cord with connector quiet operation
- U.L. and c.U.L. listed for 40 watts



ACCESSORIES Supplied with Luminaire	
90- F40BLB	40W F40B/LB Fluorescent Lamp
--	Male Edison Installed